



## 3-IN-1 DUCT OR WALL MOUNT HEPA AIR CLEANERS

### Description

- The CinQuartz<sup>®</sup> Duct or Wall Mount HEPA Air Cleaners have been designed to remove atmospheric and household dust, coal dust, insecticide dust, mites, pollen, mold spores, fungi, bacteria, viruses, pet dander, cooking smoke and grease, tobacco & cannabis smoke particles, and more down to 0.3 micron (1/84,000 of an inch) with 99.97% efficiency on the first pass of air.
- Ideal for classrooms, daycare centers, fitness studios, hair/nail/beauty salons, dental/medical clinics, condos, homes and more.
- This unit is compact and can be installed directly on the return air vent. It can also be mounted directly to the furnace and collar mounted to the return air duct to save space.
- Helps protect and prolong the operating efficiency of the heating and cooling equipment.
- Model CQAHEPADM400VSGR is perfect for wall mounting as it has built-in Intake & Exhaust Grills.
- Easy to install and easy to maintain

### Standard Features

- Highly Efficient MERV 11 Prefilter removes lint and hair before they enter HEPA filter.
- Activated Carbon Prefilter removes odors to extend the life of the HEPA filter.
- Long-life, 99.97% HEPA Media Filter removes particles 0.3 micron (1/84,000 of an inch) and larger. The HEPA filter becomes more efficient as it becomes dirtier with time.
- Powerful European motor delivers up to 320 CFM of pure air, without adding static pressure to the HVAC system.
- Plug-in Power Cord provides convenient electrical connection.
- Versatile installation can be duct mounted, collar mounted or wall mounted.
- Limited 5 Year Warranty

### Cabinet Construction

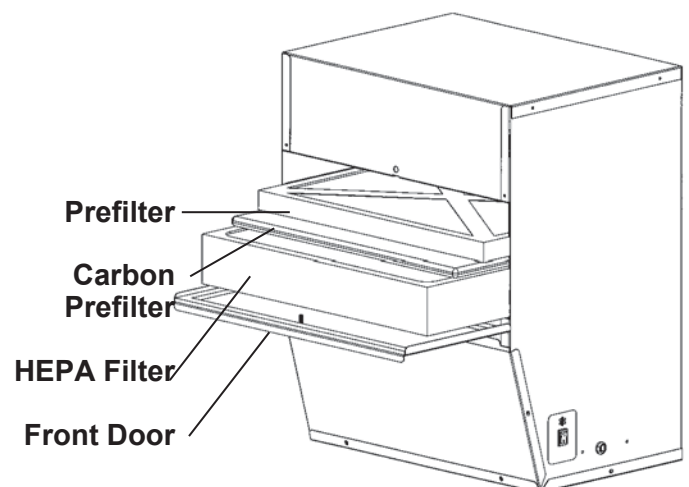
- One piece wrap, steel cabinet has powder-coat paint finish to provide rigid installation and durability.



- Pre-punched openings at back of unit and mounting template are provided for easier duct mount installation; no external ducting required. (Model CQAHEPADM400-VS)
- Pre-punched openings at top and bottom of unit facilitate collar mount installation (Model CQAHEPADM400-VS).

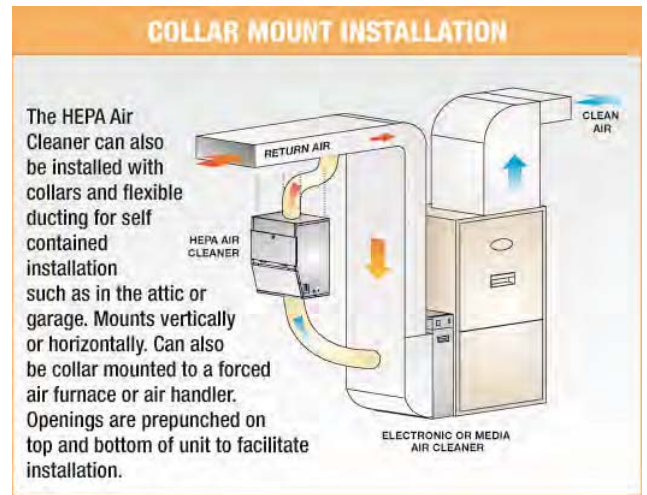
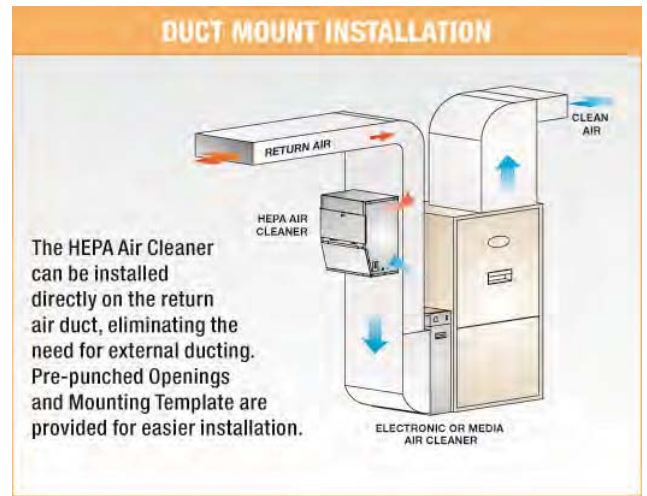
### Replacement Filters

PART NUMBER	DESCRIPTION	REPLACE EVERY
<b>DMH4-0400</b>	HEPA Media Filter	2-3 years
<b>DMH4-0855</b>	Prefilter, MERV 11	3-6 months
<b>DMH4-0810</b>	Carbon Prefilter	3-6 months



## SPECIFICATIONS

MODELS	CQAHEPADM400-VS CQAHEPADM400VSGR
<b>Air Flow: Variable Speed Motor Control</b>	Up to 320 cfm Up to 544 m <sup>3</sup> /hr
<b>Whole-House Air Changes Per Day 1500 sq ft home 2000 sq ft home</b>	39 Air Changes / Day 29 Air Changes / Day
<b>Prefilter (MERV 11)</b>	3.1 ft <sup>2</sup> 0.29 m <sup>2</sup>
<b>Carbon Prefilter</b>	1.33 ft <sup>2</sup> 0.12 m <sup>2</sup>
<b>HEPA Media Filter</b>	40 ft <sup>2</sup> 3.7 m <sup>2</sup>
<b>Power</b>	120 v 60 hz
<b>Plug-in Power Cord</b>	10.0 ft 3.05 m
<b>Cabinet Dimensions <i>WxDxH</i></b>	16.25 x 12.75 x 20.13 in 41.3 x 32.4 x 51.1 cm
<b>Intake Duct Fitting (CQAHEPADM400-VS)</b>	14.5 x 3.75 in or 8 in (dia) 36.8 x 9.5 cm or 20.3 cm (dia)
<b>Outflow Duct Fitting (CQAHEPADM400-VS)</b>	14.5 x 4.37 in or 8 in (dia) 36.8 x 11.1 cm or 20.3 cm (dia)
<b>Intake Grill Dimensions (CQAHEPADM400VSGR)</b>	9.5 x 6.5 in 24.2 x 16.5 cm
<b>Outflow Grill Dimensions (CQAHEPADM400VSGR)</b>	9.5 x 6.5 in 24.2 x 16.5 cm
<b>Unit Weight</b>	38 lbs 17.2 kg



### HOW IT WORKS

Millions of airborne particulates and gases travel through the heating/cooling system 4-5 times every hour. The HEPA Air Cleaner connects to the return air duct and diverts 1/3 to 1/2 of this dirty air through a sealed 3-stage filtration system. A home can reach 39 or more whole-house air changes/day depending on the house size. And when a CinQuartz<sup>®</sup> High Efficiency Electronic or Media Air Cleaner is added to the return air, the home can achieve 96+ whole-house air changes/day (with system fan on continuous).

Manufacturer reserves the right to discontinue or change at any time, specifications or designs without notice or without incurring obligations. Performance of the Air Cleaners will depend on house plan design, duct design and heating/cooling equipment.